



Print And Assembly Guide Saturn 5

By Kmobrain



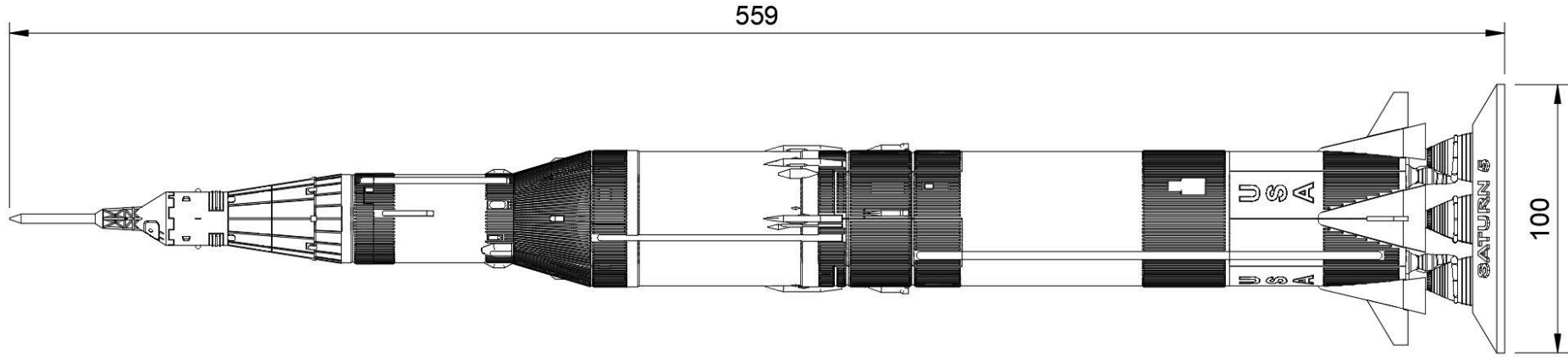
Summary

1 - Dimension

2 - Print Guide

3 - Assembly Guide

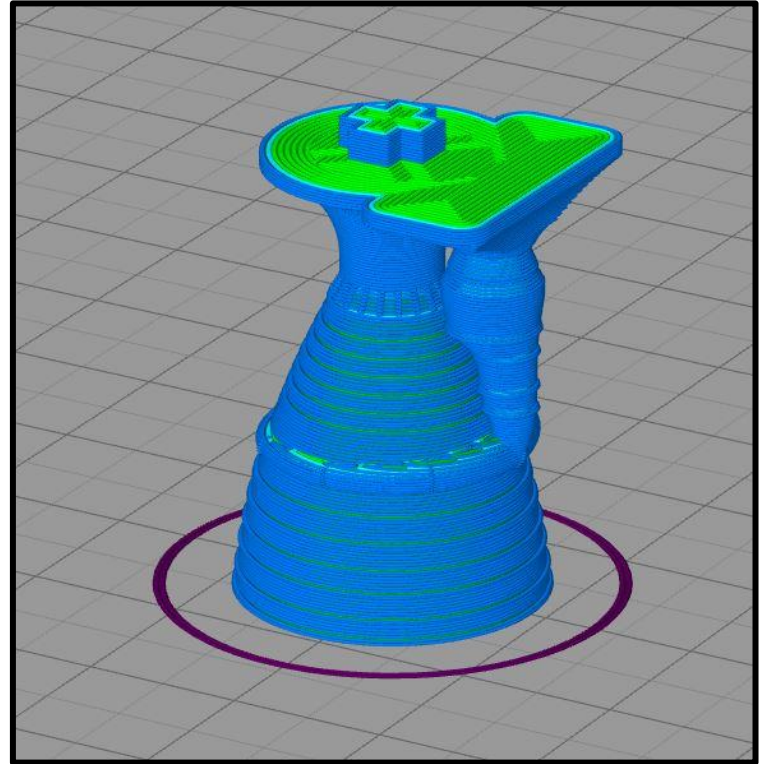
1 - Dimension



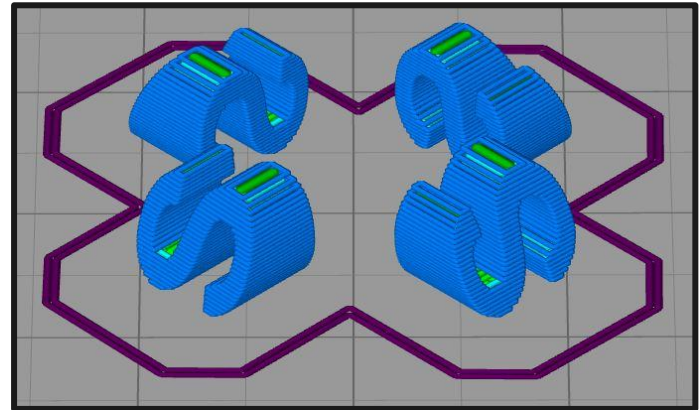
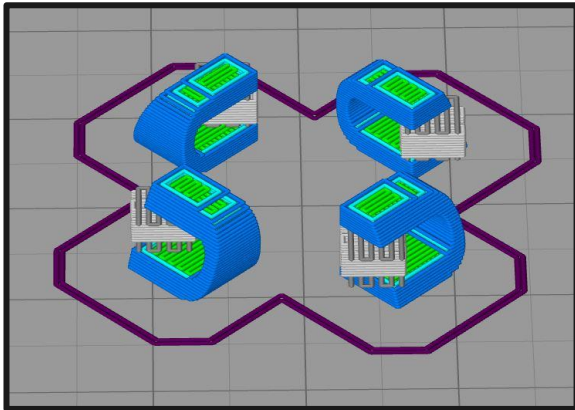
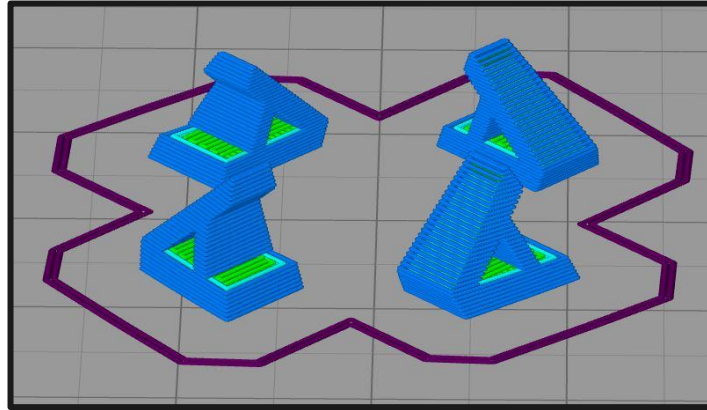


2 - Print Guide

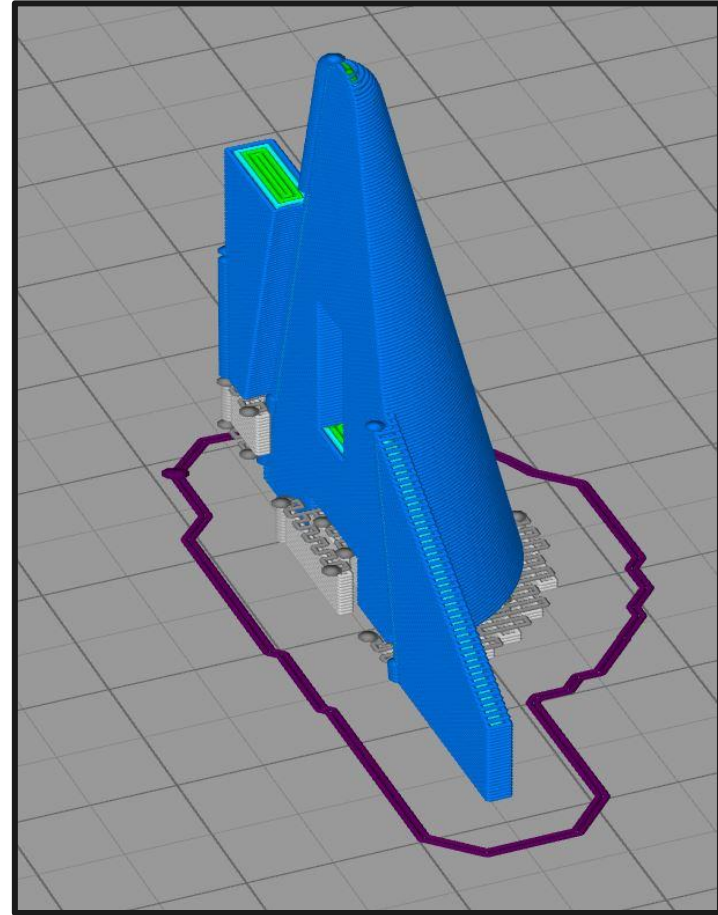
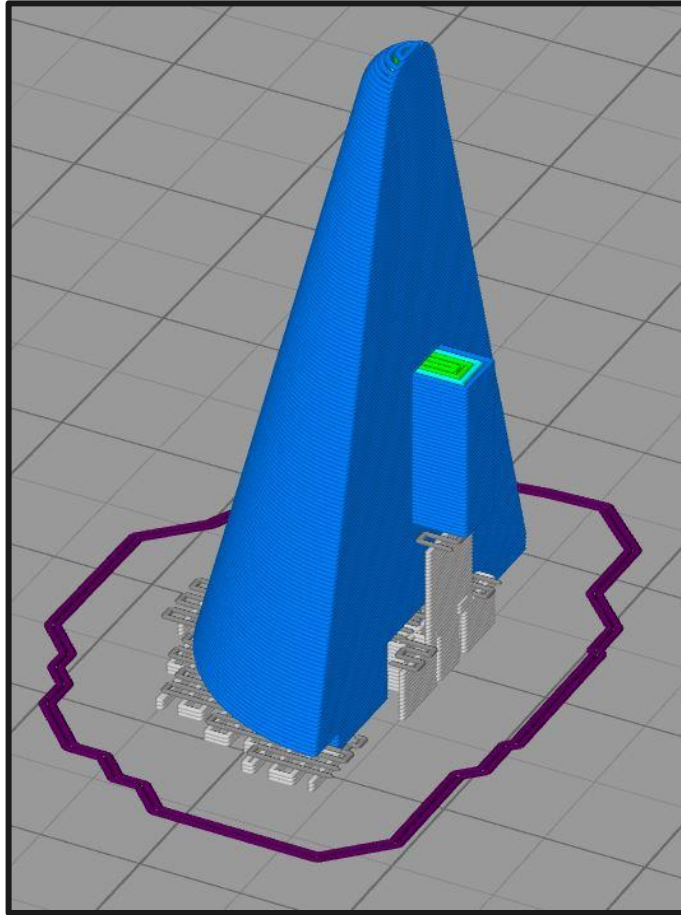
Support And Printing Direction



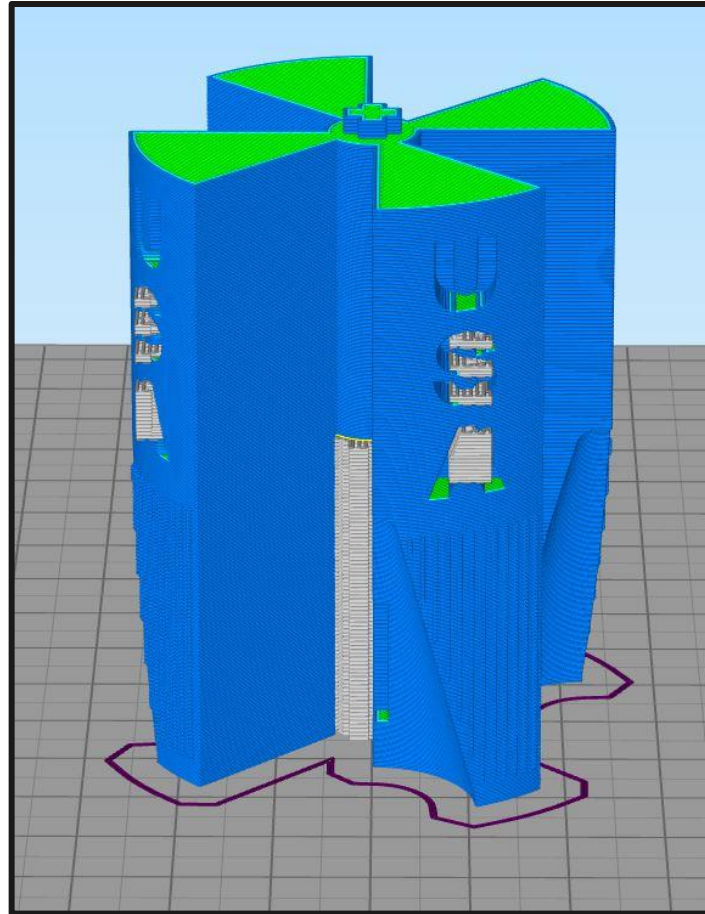
S-1C Letters Print Guide



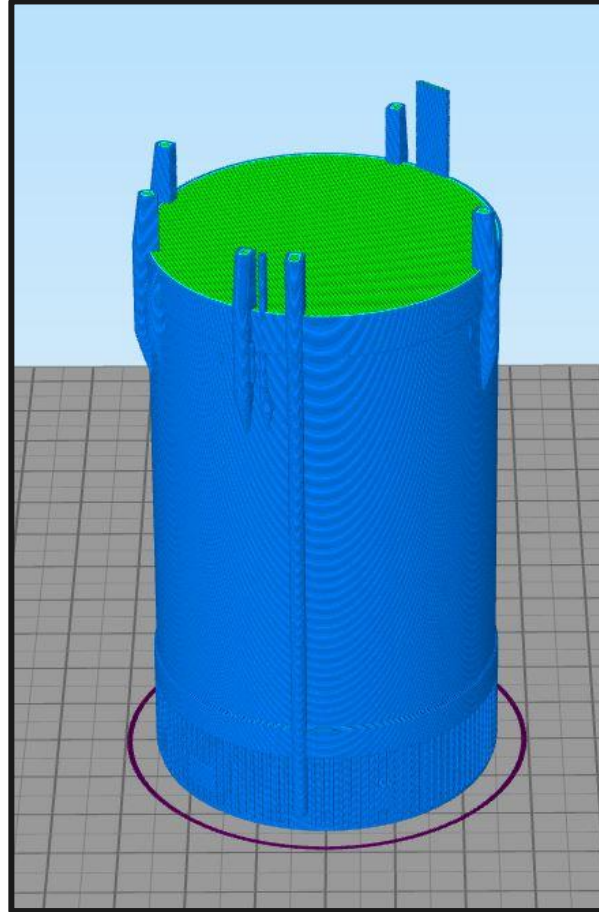
S-1C Engine Fairing Print Guide



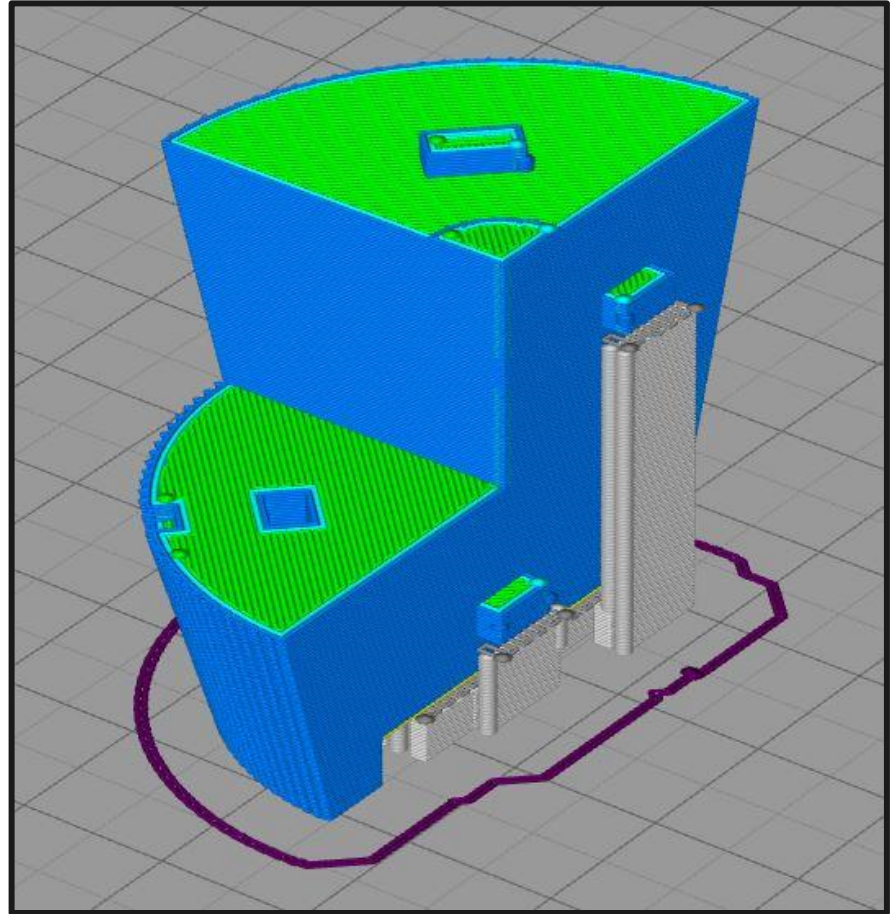
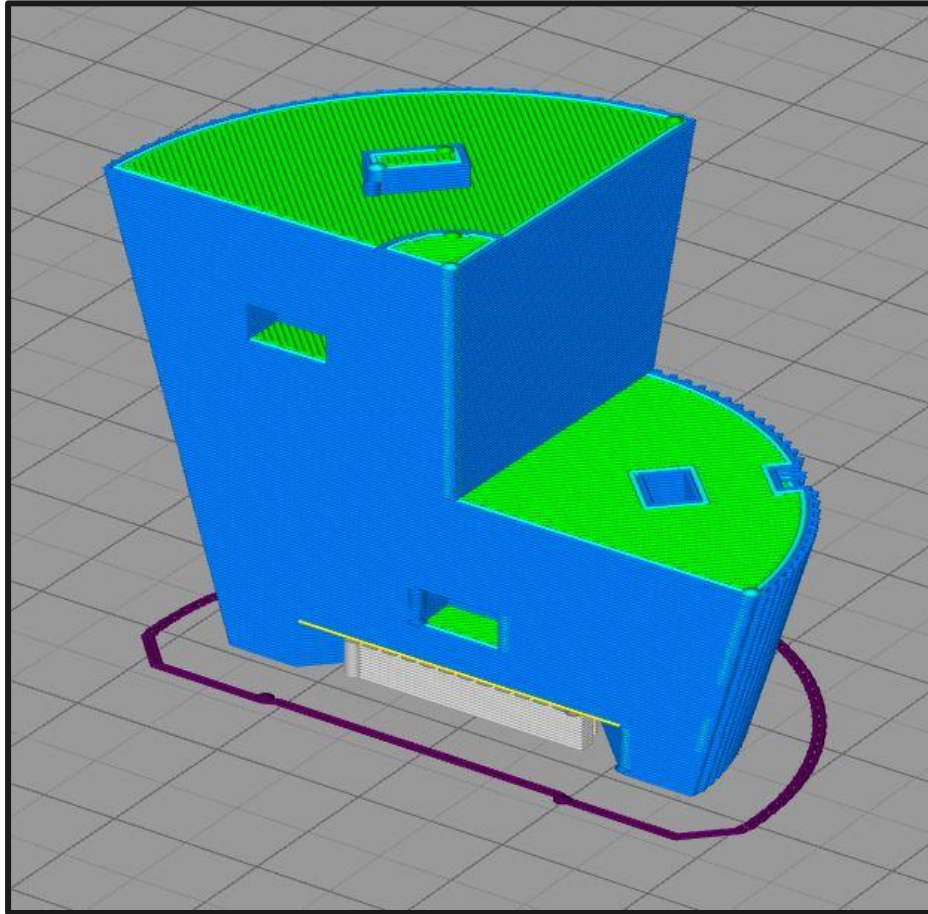
S-1C Thrust Structure Print Guide



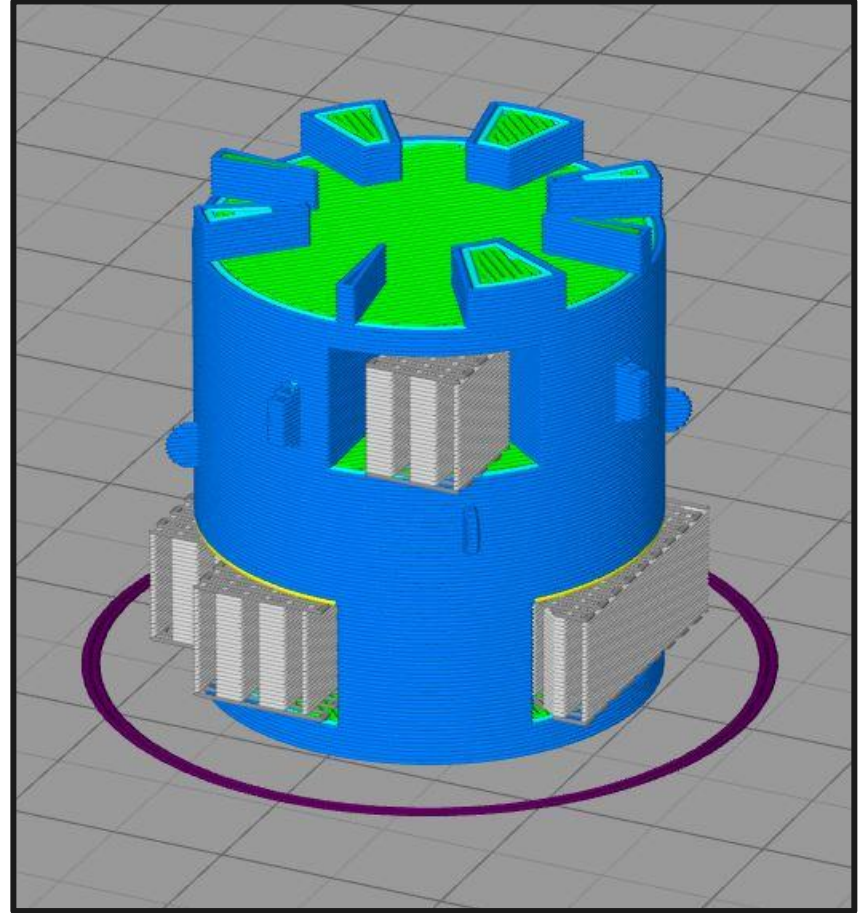
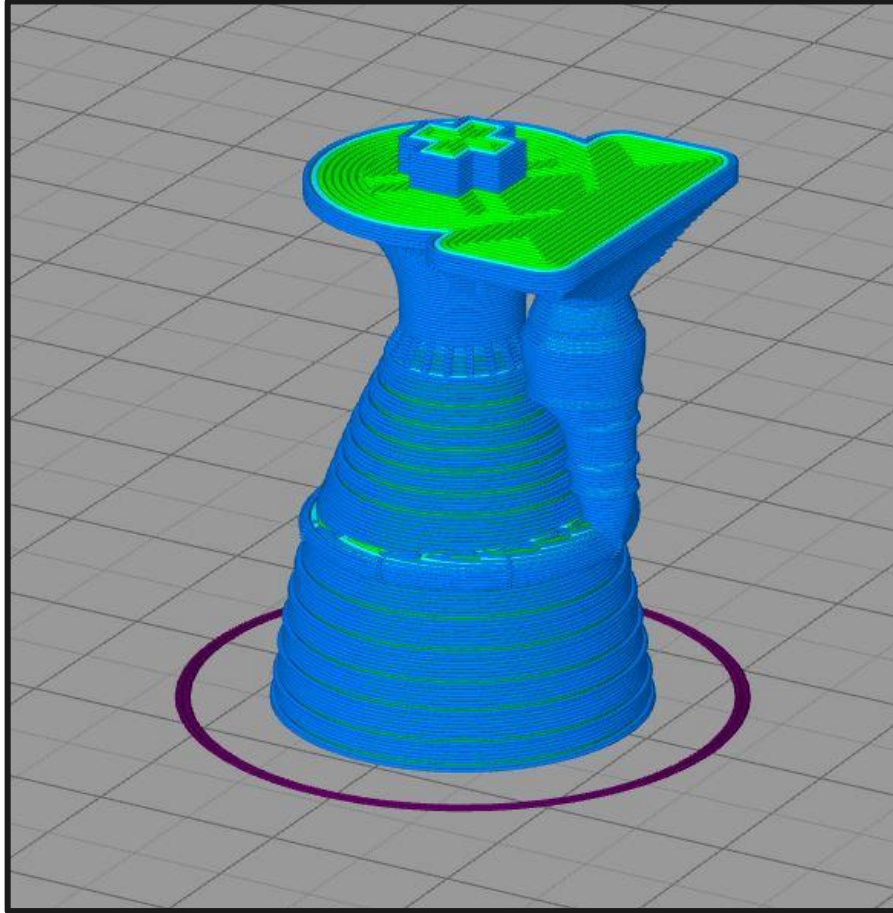
S-2 Tank Print Guide



S-4B Interstage Print Guide

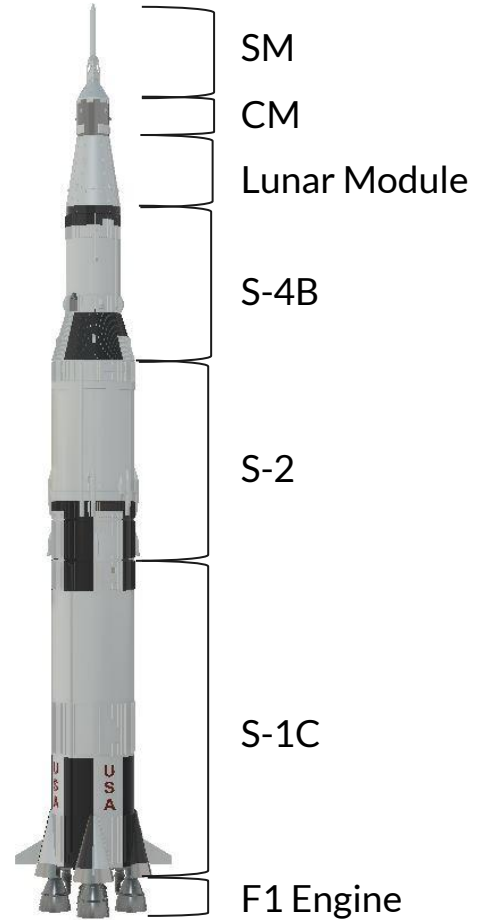


SM and Engine Print Guide

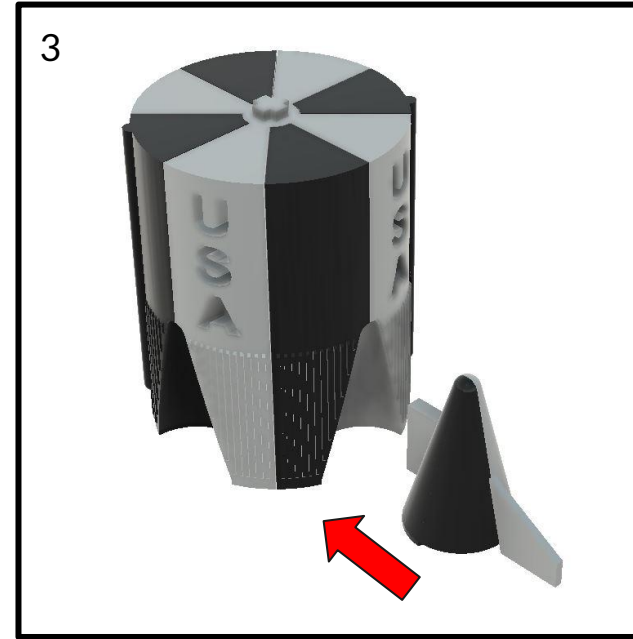
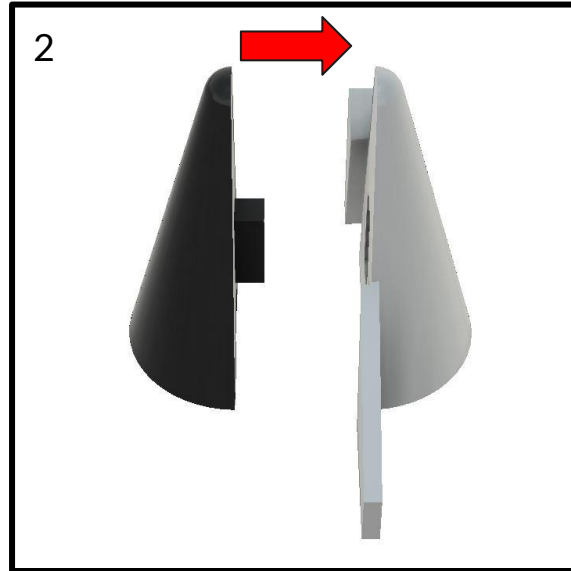
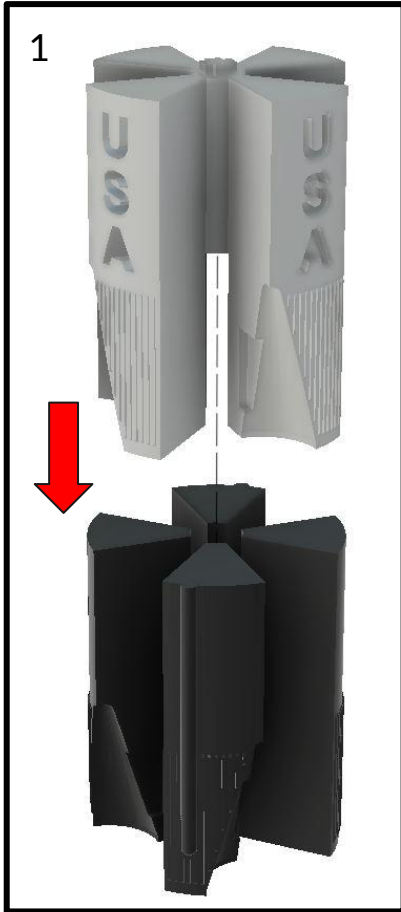


3 - Assembly Guide

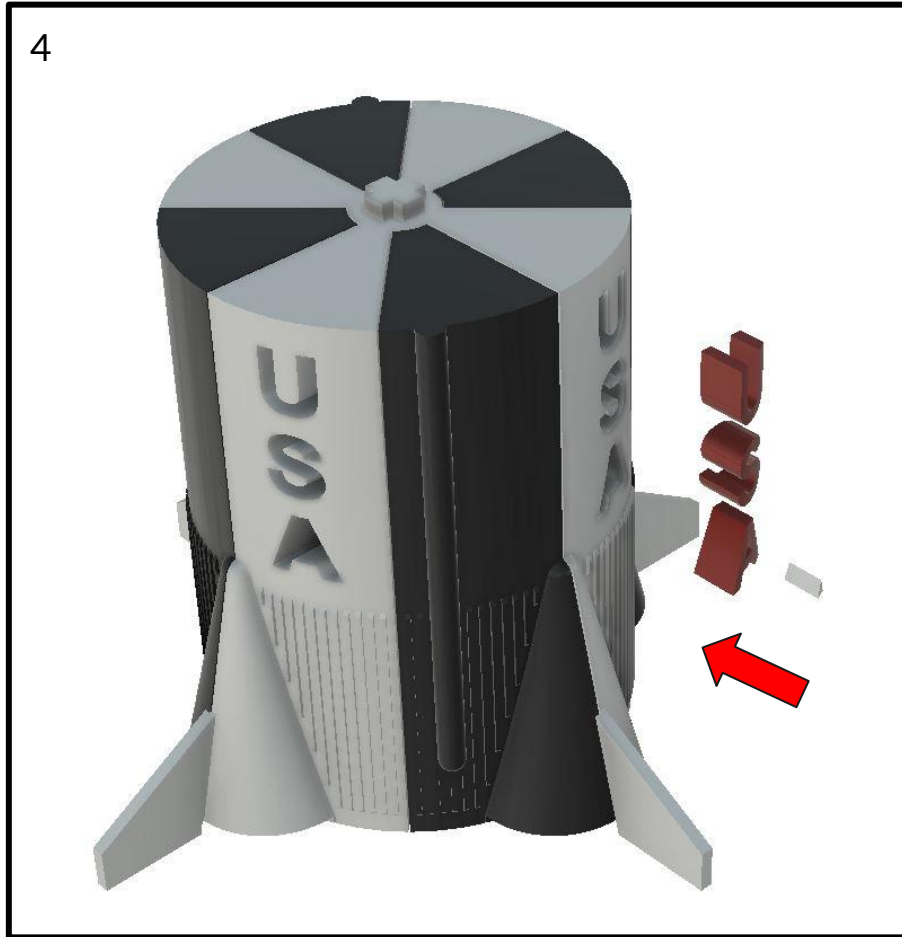
- S-1C
- S-2
- S-4B
- Lunar Module
- SM
- CM
- Engine



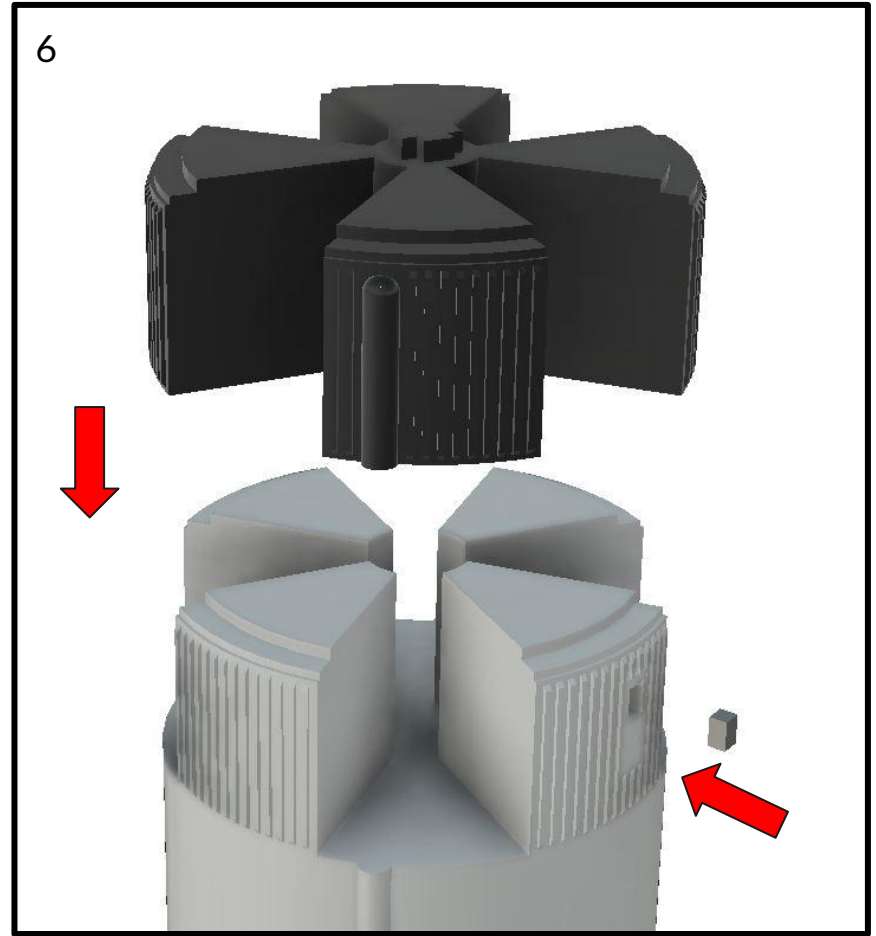
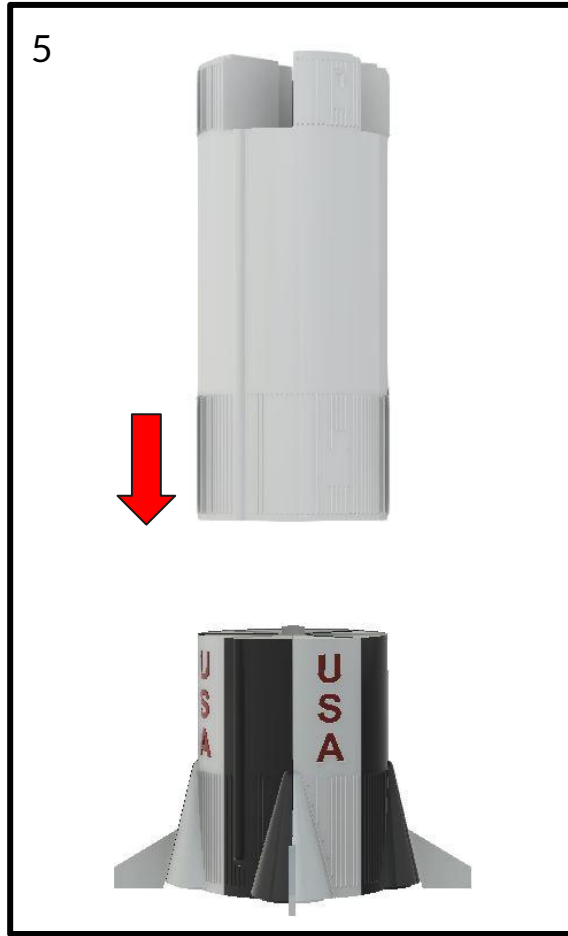
S-1C Thrust Structure and Engine Fairing Assembly



S-1C Letters Assembly

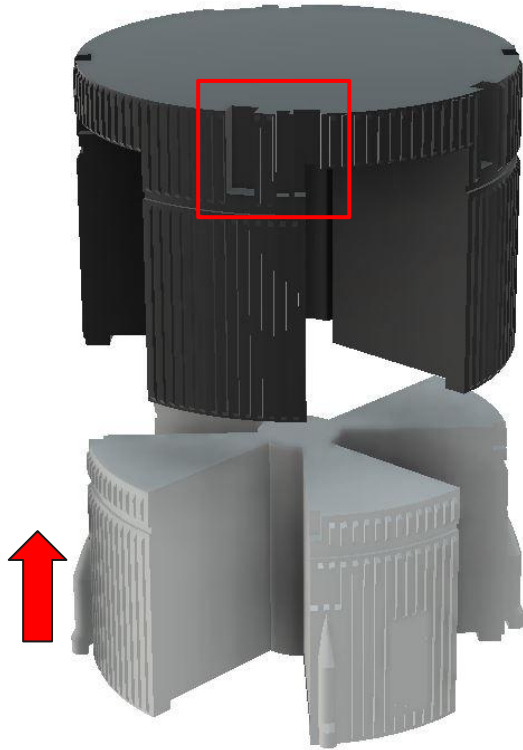


S-1C Assembly

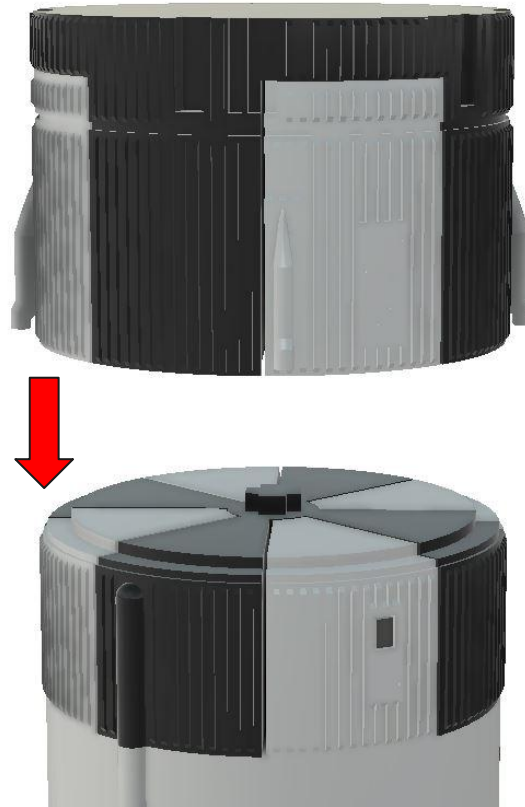


S-2 Interstage And Tank Assembly

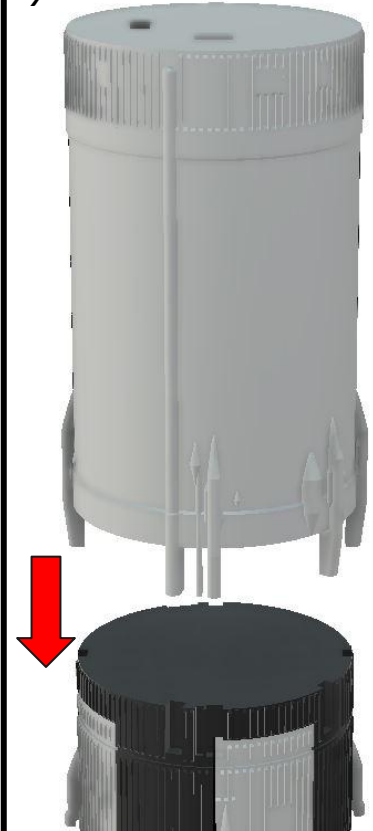
7



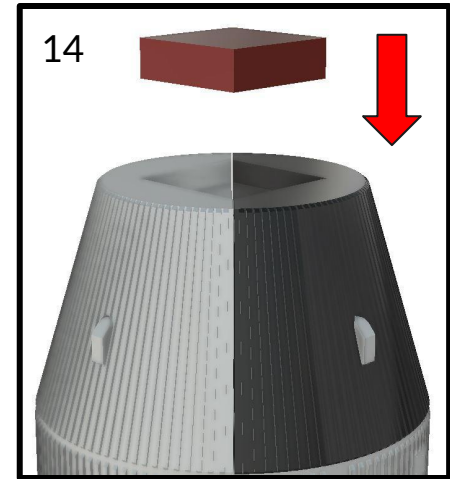
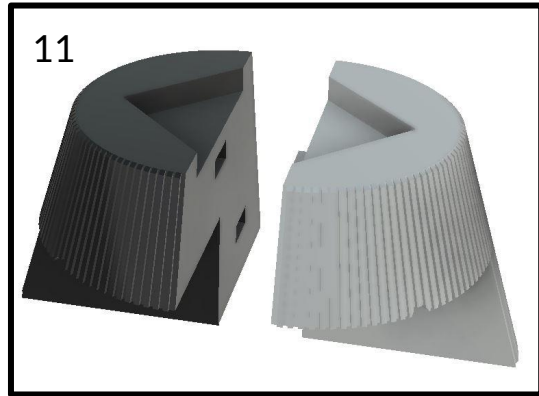
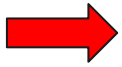
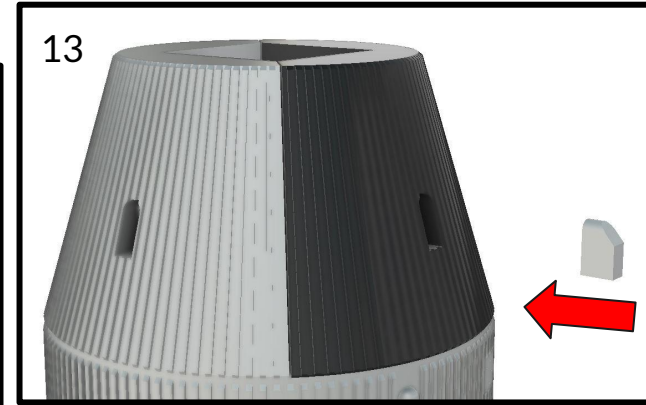
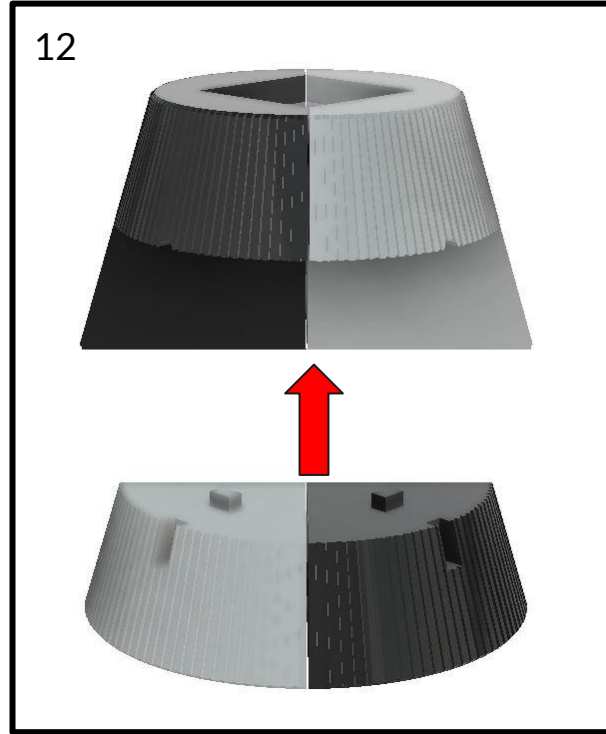
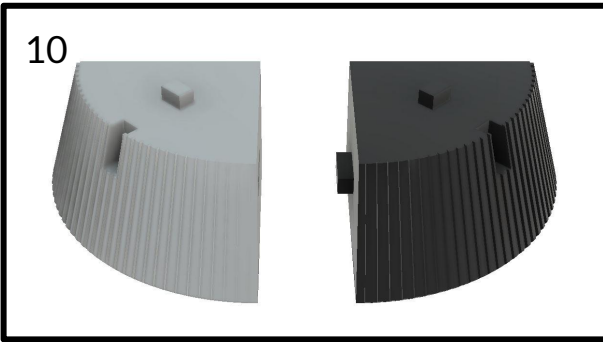
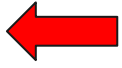
8



9



S-4B Interstage Assembly



S-4B Tank Assembly

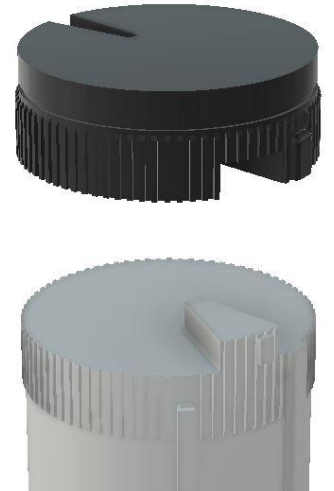
15



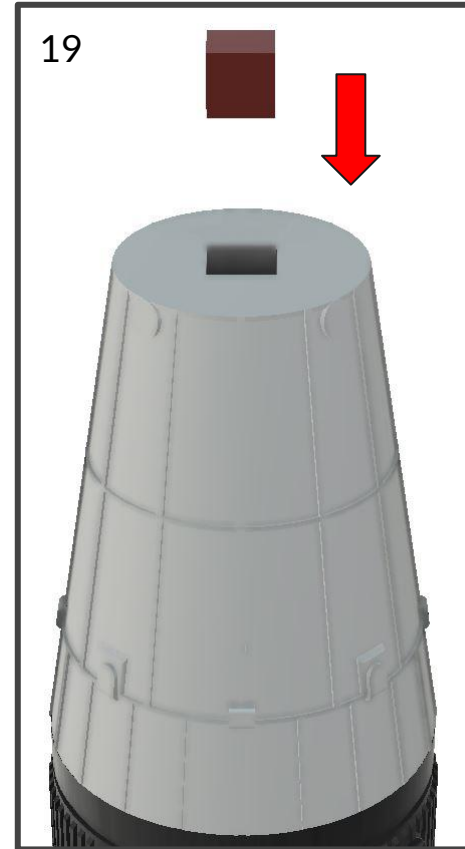
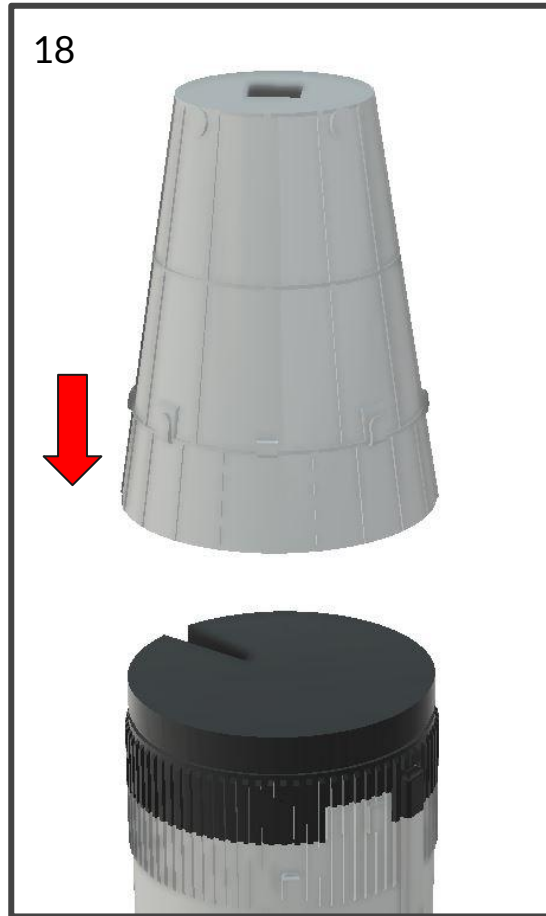
16



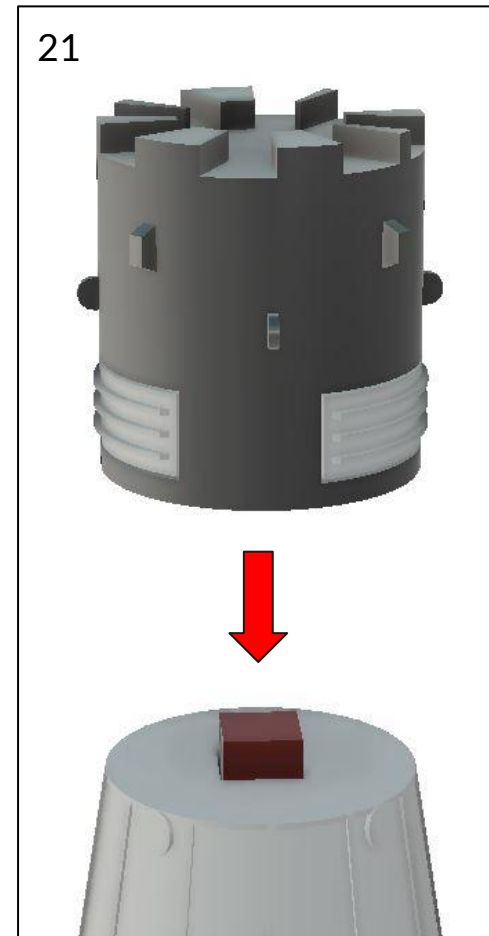
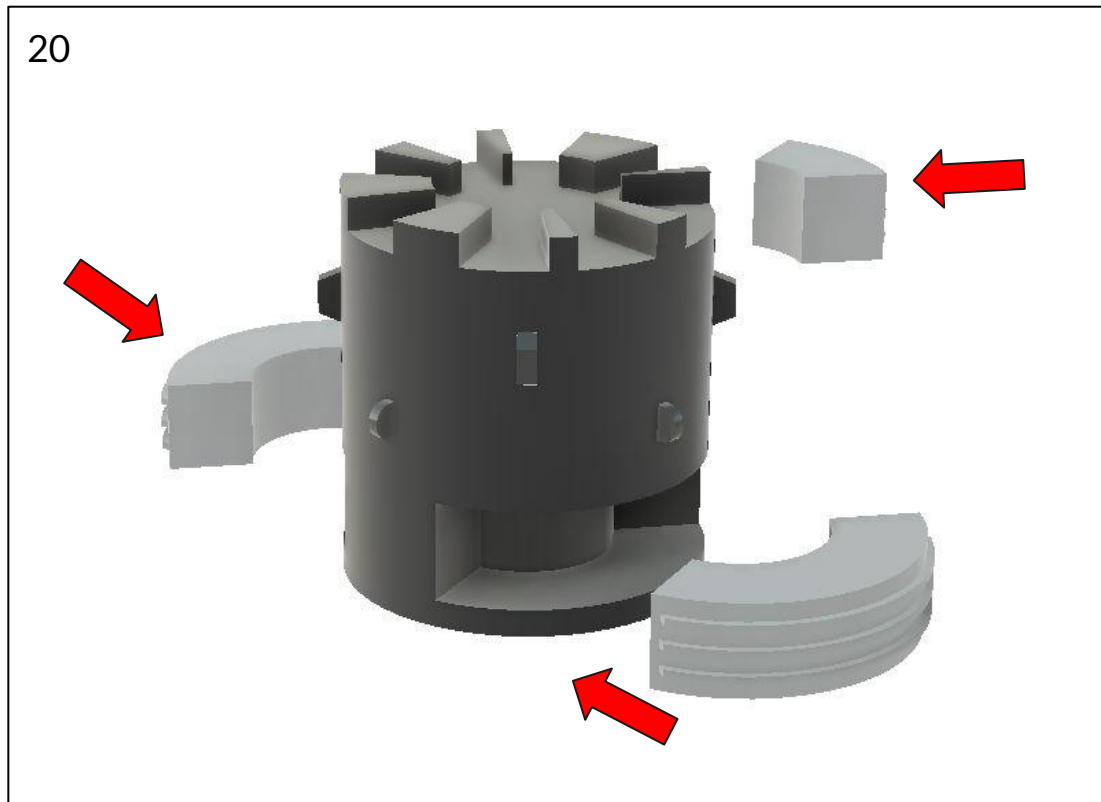
17



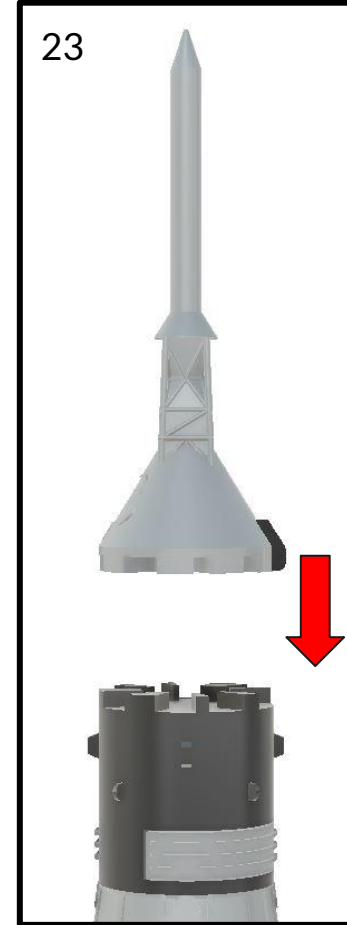
Lunar Module Assembly



SM Assembly



CM Assembly



Engine And Engine Fairing Assembly

